

Brief Introduction:

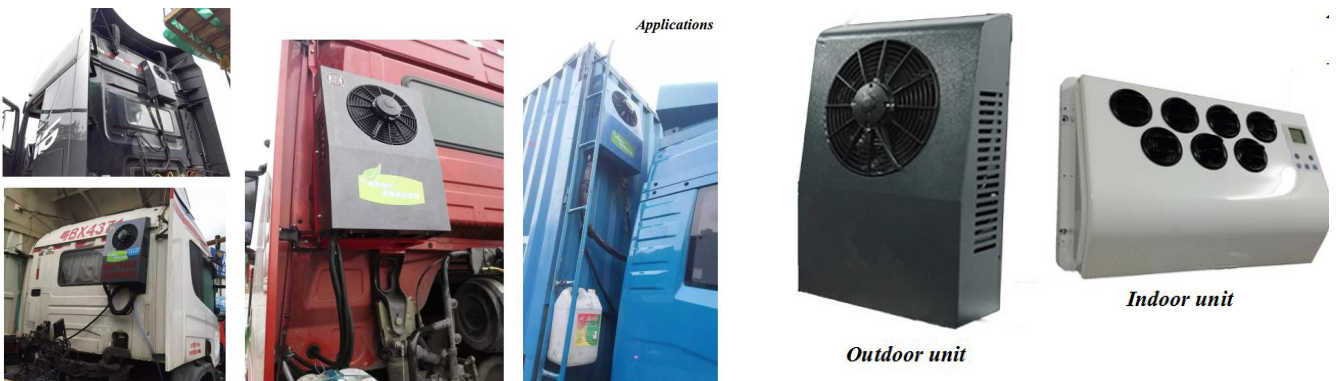
King Clima is specialist in truck air conditioner solutions, E-Clima2600S model is spit mounted, 2.6KW cooling capacity, DC 12v or DC 24v for choice.

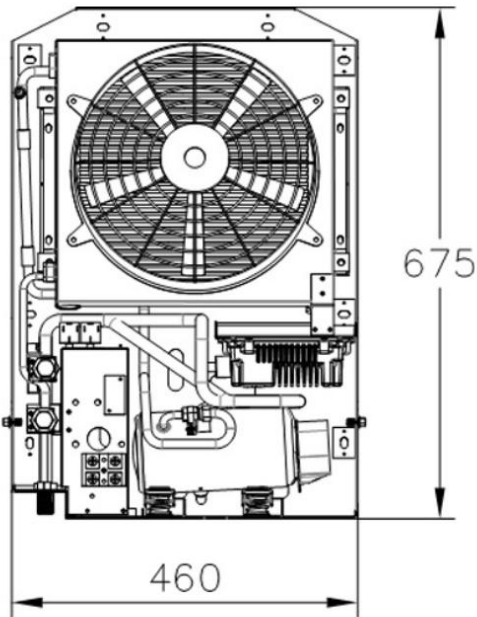
- 2.6KW cooling capacity
- DC powered 12v or 24v truck voltage for choice.
- No noise, give truck drivers a quiet and pleasant sleeping time at night.
- Fresh air system, make the air fresh and improve working environment.
- Easy to install, designed to suitable for all kinds of truck appearance.
- Battery powered, easy to recharge, no fuel consumption, decrease transport cost.
- Professional and friendly service with 7*24h online help.

Models	E-Clima2600S	E-Clima2600S
Voltage	DC12V	DC24V
Rotated cooling current	48A	38A
Rated input power(*)	912W	516W
Installation	Split mounted	Split mounted
Cooling Capacity	2000W/6850BTU	2600W/8900BTU
Working refrigerant	R-134a(610±20g)	R-134a(610±20g)
Weight	10kg / 22db(Interior unit) 25kg / 55db (Exterior unit)	10kg / 22db(Interior unit) 25kg / 55db (Exterior unit)
Air Flow	450m3/Hr	500m3/Hr
Dimensions(L*W*H)	682*465*192mm (outdoor unit) 540*362*165mm (Indoor unit)	682*465*192mm (outdoor unit) 540*362*165mm (Indoor unit)
Application	All kinds of truck cabs, off road truck cabs, heavy duty truck cabs...	

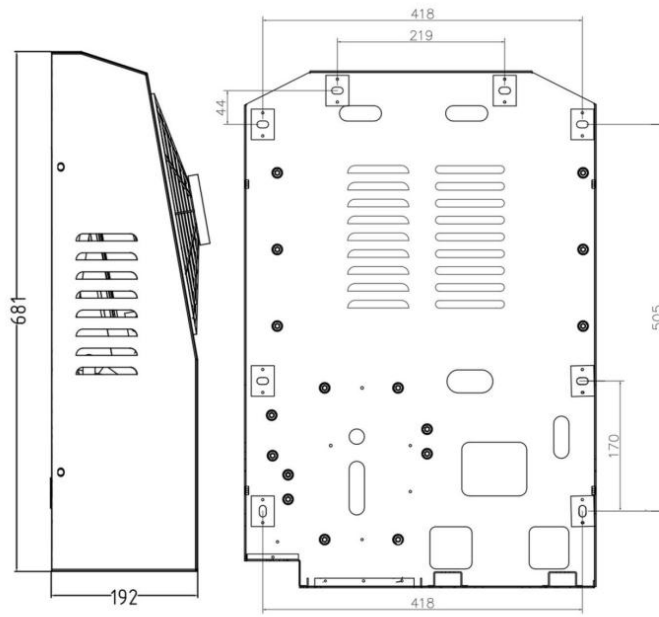
Application of E-Clima2600S Truck Cab Air Conditioners

Especially designed for the semi-truck cabs, 2600W cooling capacity, bring drivers a pleasant driving time!

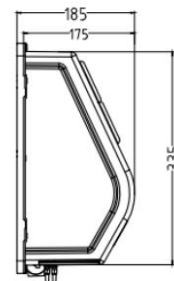
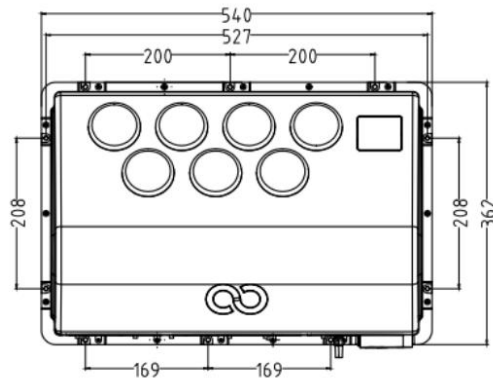
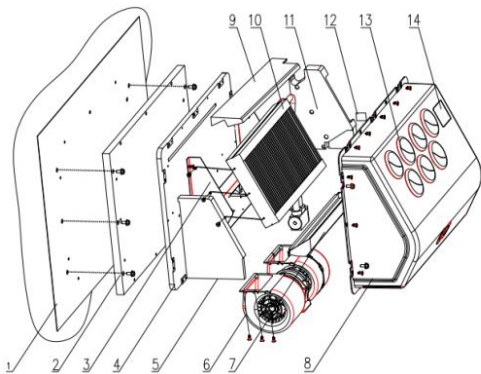




Outdoor unit dimension:681*465*192(L*W*H)



Installation size: 418*505mm





HENAN KINGCLIMA INDUSTRY CO.,LTD

ADD:A2301 SHENGHUI CENTRE,16 NONGYE RD(450000), Zhengzhou,China
TEL: +86-371-66379266 +86-371-66115121 <http://www.kingclima.com>

